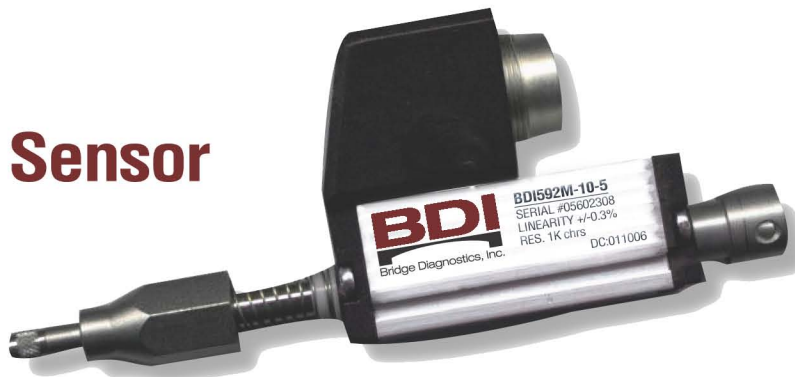




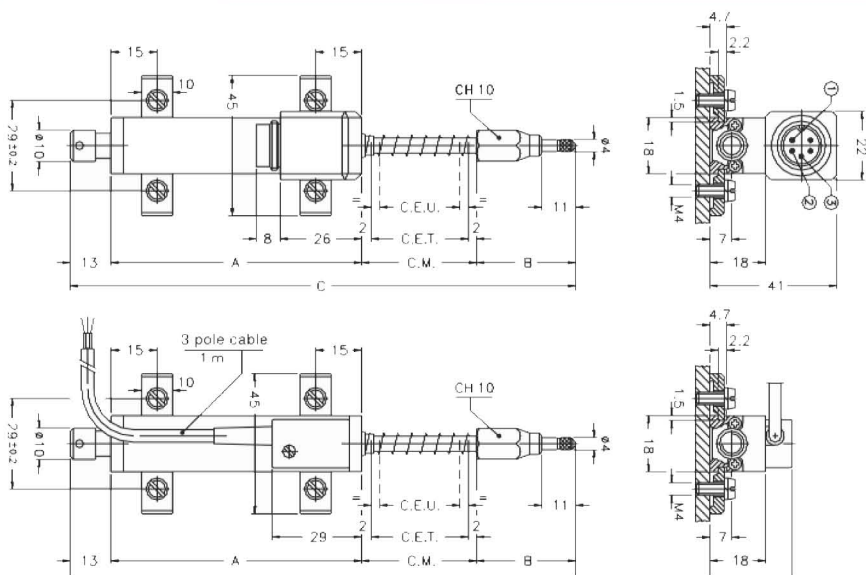
Introducing the BDI Resistive Displacement Sensor



FEATURES

- 10 to 50 mm. stroke
- Double support of the control rod and return spring
- Tip with M2.5 thread and stainless steel ball
- Independent linearity up to $\pm 0.1\%$
- Infinite resolution
- No variation of electrical signal outside theoretical electrical stroke
- Displacement speed up to 10 m/s
- Working temperature: -30 to +100°C
- Electrical connections:
 - TD592 - C: wide 1m shielded cable
 - TD592 - 5: 5-pole connector DIN43322
- Life duration: $> 100 \times 10^6$ operations (within C.E.U)
- Grade of protection IP40

DIMENSIONS



Dimensions in millimeters and are reference only.



SPECIFICATIONS

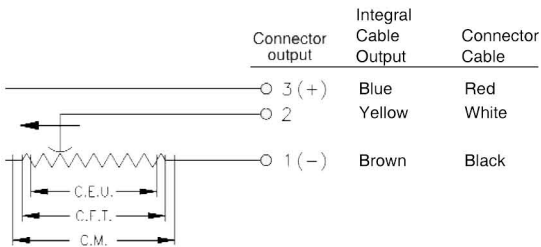
Useful electrical stroke (C.E.U.)	10/25/50
Independent linearity (within C.E.U.)	see table
Displacement speed	10 m/s
Displacement force	4N
Vibrations	5D2000Hz, Amax =0,75 mm amax. = 20 g
Tolerance on resistance	Shock 50 g, 11ms.
Recommended cursor current	± 20%
Maximum cursor current	< 0.1 mA
Maximum applicable voltage	10mA
Electrical isolation	see table
Dielectric strength	>100M at 500V=, 1bar, 2s
Dissipation at 40°C (0W at 120°C)	< 100 mA at 500V~, 50Hz, 2s,
Temp. Coeff. of the resistance	1bar
Actual Temperature Coefficient of the output voltage	see table
Working temperature	-200 ± 200ppm/°C
Storage temperature	< 1,5ppm/°C
Case material	-30 to +100°C
Control rod material	-50 to +120°C
Mounting	Anodized aluminum Nylon 66 GF 40
	Stainless steel AISI 303
	Adjustable mount feet

MECHANICAL / ELECTRICAL DATA

MODEL		10	25	50
Useful electrical stroke (C.E.U.) +1/-0	mm	10	25	50
Theoretical electrical stroke (C.E.T.) ±1	mm	C.E.U. + 1		
Resistance (C.E.T.)	k	1	1	5
Independent linearity (within C.E.U.)	± %	0.3	0.2	0.1
Dissipation at 40° (0W at 120°C)	W	0.2	0.6	1.2
Maximum applicable voltage	V	14	25	60
Mechanical stroke (C.M.)	mm	C.E.U. + 5		
Case length (A)	mm	C.E.U. + 38		
Tip length (B)	mm	32	32	40
Total length (C)	mm	108	138	196



ELECTRICAL CONNECTIONS

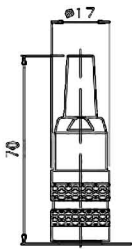


ACCESSORIES

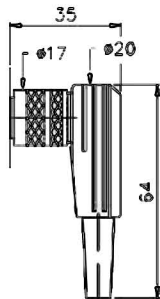
Includes 2 mounting feet w/M4x26 screws
OPTIONAL ACCESSORIES

Cable Assemblies

- 5 foot
- 10 foot
- 15 foot
- 25 foot
- Consult factory for non standard lengths



TD5P-CS-00
5 pin straight



TD5P-CR-00
5 pin Right Angle

ORDERING

Series	StrokeLength (in mm)	Connector
TD592	25	C
TD592	10	5= 5 Pin Connector
	25	C= 3 pole PVC cable
	50	

**= Consult factory for further options.