



THE T600 TILTMETER IS A SINGLE OR DUAL AXIS MEMS-BASED SENSOR THAT CAN BE USED IN BOTH SHORT-TERM TESTING AND LONG-TERM MONITORING APPLICATIONS. WITH OVERDAMPING IN THE SENSING ELEMENT, THEY ARE LESS SENSITIVE TO VIBRATION MAKING THEM MORE SUITABLE FOR HIGHER FREQUENCY RESPONSES. THE RUGGED ANODIZED ALUMINUM HOUSING PROTECTS AGAINST THE HARSHTEST ENVIRONMENTS WHILE PROVIDING SIMPLE MOUNTING OPTIONS AND MECHANICAL OFFSET ADJUSTMENT.

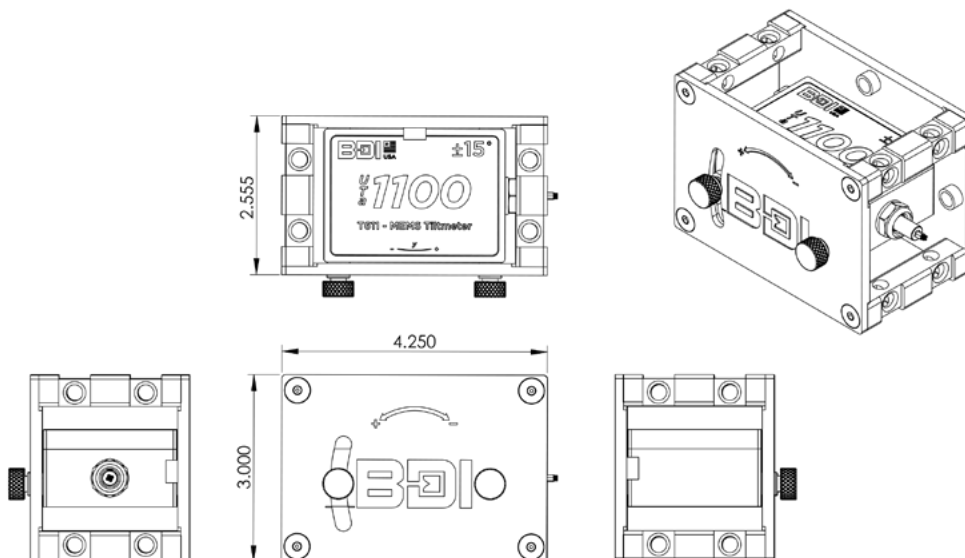
FEATURES

- + Simple & quick range adjustment
- + Mounting tabs for adhesive application
- + Measurement range from $\pm 15^\circ$ to $\pm 30^\circ$
- + 4 mounting configurations
- + Designed to exceed IP67
- + Frequency response (-3 dB 18 Hz)
- + Excellent temperature stability
- + 0.001° resolution (10 Hz bandwidth)

APPLICATIONS

- + Long term structural monitoring
- + Tower rotation
- + Tainter gate position
- + Pier rotation
- + Permanent deformation monitoring
- + Building rotation

DIMENSIONS



SPECIFICATIONS

MODEL	T611-15	T611-30	T621-15	T621-30
TYPE	Uniaxial	Uniaxial	Biaxial	Biaxial
LINEAR RANGE (ARC DEGREES)	±15	±30	±15	±30
OUTPUT (MV/ARC DEGREES TYPICAL)	275.0	120.5	275.0	120.5
RESOLUTION (ARC DEGREES)	0.013	0.013	0.013	0.013
CROSS-AXIS SENSITIVITY (MAX %)	4	4	4	4
NONLINEARITY (%FS)	0.057	0.011	0.057	0.011
FREQUENCY RESPONSE	DC to 5 Hz			
SETTLEMENT TIME	400 ms			
EXCITATION VOLTAGE	9-28 Vdc			
RATIOMETRIC ERROR (%)	±1	±1	±1	±1
POWER RATING MAX TYPICAL INTELLIDUCER ¹	75 mW 25 mW 35.5 mW @ +5.0 Vdc			
OUTPUT	±2 Vdc			
OPERATING TEMPERATURE ²	-40 °F to 176 °F (-40 °C to 80 °C)			
TEMPERATURE SENSITIVITY -25°C TO +80°C (TYPICAL, %/°C) -40°C TO +125°C (MAX, %)	±0.013 -2.5 ... +1			
CABLE	Custom lead cable length made to order: IC-02-187 [22 AWG, 2 shielded pair, drain wire, red PVC jacket] IC-02-250 [22 AWG, 2 shielded pair, drain wire, blue PVC jacket] IC-03-250 [24 AWG, 3 shielded pair, drain wire, black PVC jacket]			
HOUSING	Machined 6061-Aluminum			
CORROSION PROTECTION	Hard Anodized Clear (MIL-A-8625 Type III)			
WEATHER PROOFING	Designed to exceed IP67			
DIMENSIONS	4.25 x 2.6 x 3 in (108 x 66 x 76 mm)			
WEIGHT	1.2 lbs (544 g)			
MOUNTING	Through holes for ¼ in (M6) bolts or anchors on five sides Reusable mounting tabs (gluing/welding)			

¹ Intelliducer connector required with STS Intelliducer data acquisition nodes.

² Temperature lower limit based the electronics, upper limit based on instrumentation cable. Call BDI for wider temperature range cable.

OPTIONS & ACCESSORIES



Intelliducer Connector – Required for use with STS Intelliducer Nodes, cable is connected and potted for a weatherproof seal.

Protective Covers – Insulated aluminum protective covers



Reusable Mounting Tabs – ¼-20 or M6, zinc plated steel mounting tab.